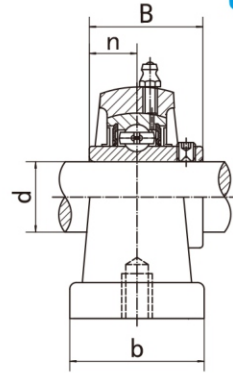
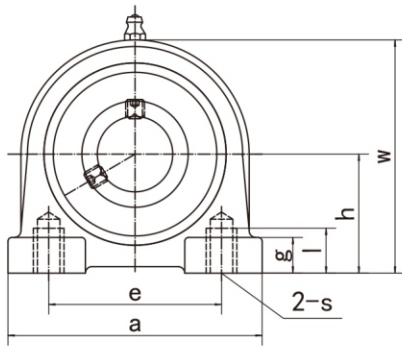


# Pillow Blocks

## UCPA2 (Normal-duty)



Unit NO.	Dimensions ( mm / in. )											Bolt Size mm/in.	Bearing No.	Housing No.	Weight (kg)
	d	h	a	e	b	s	g	l	w	B	n				
UCPA201 201-8	12 1/2	30.2	76	52	40	M10	11	15	62	31	12.7	M10	UC201	PA201	0.63
UCPA202 202-9	15 9/16												UC202		0.62
UCPA202 202-10	5/8												UC202-9		0.62
													UC202-10		0.62
UCPA203 203-11	17 11/16	1-3/16	3	2-3/64	1-9/16	M10	7/16	19/32	2-7/16	1.2205	0.500	M10	UC203	PA203	0.61
UCPA204 204-12	20 3/4												UC203-11		0.60
													UC204	PA204	0.59
													UC204-12		0.59
UCPA205 205-13	25 13/16	36.5	84	56	38	M10	12	15	72	34.1	14.3	M10	UC205	PA205	0.76
UCPA205 205-14	7/8	1-7/16	3-5/16	2-13/64	1-1/2	M10	15/32	19/32	2-53/64	1.3425	0.563	M10	UC205-13		0.79
UCPA205 205-15	15/16												UC205-14		0.78
UCPA205 205-16	1												UC205-15		0.76
													UC205-16		0.75
UCPA206 206-17	30 1-1/16	42.9	94	66	50	M14	12	18	84	38.1	15.9	M14	UC206	PA206	1.12
UCPA206 206-18	1-1/8	1-11/16	3-45/64	2-19/32	1-31/32	M14	15/32	45/64	3-5/16	1.5000	0.626	M14	UC206-17		1.13
UCPA206 206-19	1-3/16												UC206-18		1.14
UCPA206 206-20	1-1/4												UC206-19		1.12
													UC206-20		1.11
UCPA207 207-20	35 1-1/4	47.6	110	80	55	M14	13	20	95	42.9	17.5	M14	UC207	PA207	1.55
UCPA207 207-21	1-5/16	1-7/8	4-21/64	3-5/32	2-11/64	M14	33/64	25/32	3-47/64	1.6890	0.689	M14	UC207-20		1.61
UCPA207 207-22	1-3/8												UC207-21		1.58
UCPA207 207-23	1-7/16												UC207-22		1.55
													UC207-23		1.52
UCPA208 208-24	40 1-1/2	49.2	116	84	58	M14	13	20	100	49.2	19	M14	UC208	PA208	1.80
UCPA208 208-25	1-9/16	1-15/16	4-9/16	3-5/16	2-9/32	M14	33/64	25/32	3-15/16	1.9370	0.748	M14	UC208-24		1.84
													UC208-25		1.81
UCPA209 209-26	45 1-5/8	54.2	120	90	60	M14	13	25	108	49.2	19	M14	UC209	PA209	2.05
UCPA209 209-27	1-11/16	2-9/64	4-23/32	3-35/64	2-23/64	M14	33/64	63/64	4-1/4	1.9370	0.748	M14	UC209-26		2.15
UCPA209 209-28	1-3/4												UC209-27		2.11
													UC209-28		2.07
UCPA210 210-29	50 1-13/16	57.2	130	94	64	M16	14	25	116	51.6	19	M16	UC210	PA210	2.56
UCPA210 210-30	1-7/8	2-1/4	5-1/8	3-45/64	2-33/64	M16	35/64	63/64	4-9/16	2.0315	0.748	M16	UC210-29		2.68
UCPA210 210-31	1-15/16												UC210-30		2.63
UCPA210 210-32	2												UC210-31		2.58
													UC210-32		2.54
UCPA211 211-32	55 2	63.5	140	104	66	M16	14	25	125	55.6	22.2	M16	UC211	PA211	3.14
UCPA211 211-33	2-1/16	2-1/2	5-33/64	4-3/32	2-19/32	M16	35/64	63/64	4-59/64	2.1890	0.874	M16	UC211-32		3.29
UCPA211 211-34	2-1/8												UC211-33		3.23
UCPA211 211-35	2-3/16												UC211-34		3.19
													UC211-35		3.12
UCPA212 212-36	60 2-1/4	69.9	150	114	68	M16	15	25	138	65.1	25.4	M16	UC212	PA212	4.12
UCPA212 212-37	2-5/16	2-3/4	5-29/32	4-31/64	2-43/64	M16	19/32	63/64	5-7/16	2.5630	1.000	M16	UC212-36		4.25
UCPA212 212-38	2-3/8												UC212-37		4.17
UCPA212 212-39	2-7/16												UC212-38		4.10
													UC212-39		4.03
UCPA213 213-40	65 2-1/2	76.2	160	124	70	M16	15	25	150	65.1	25.4	M16	UC213	PA213	4.92
UCPA213 213-41	2-9/16	3	6-19/64	4-7/8	2-3/4	M16	19/32	63/64	5-29/32	2.5630	1.000	M16	UC213-40		5.01
													UC213-41		4.92